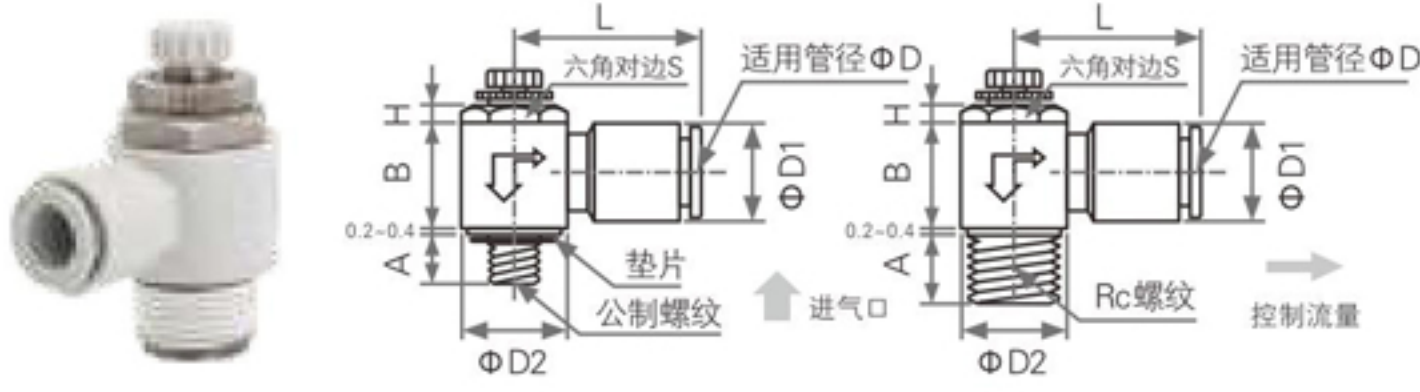


AS调速阀系列

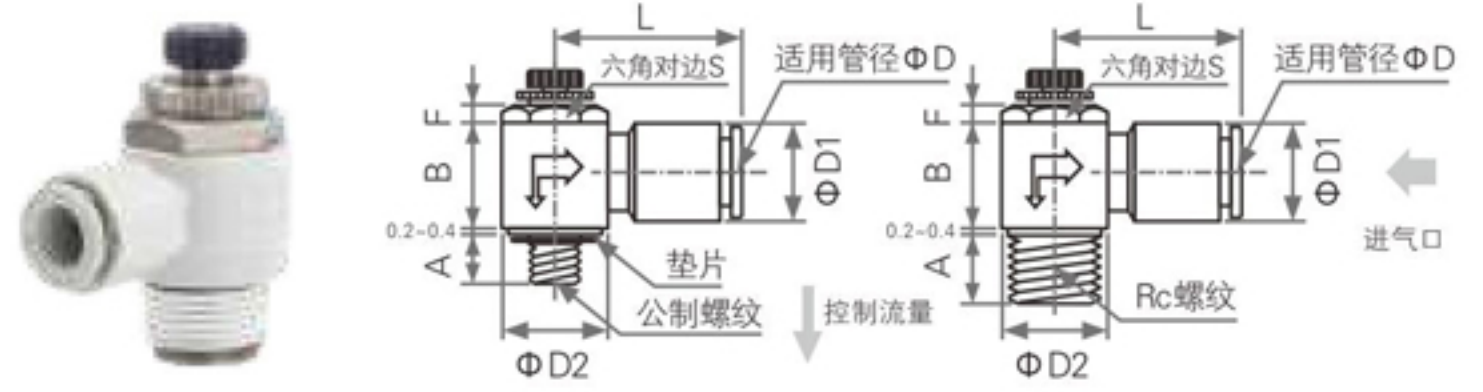
AS*201F 限出型调速阀



型号	ΦD	连接螺纹		安装六角			L	D1	D2	B
		规格	A	S	H					
AS1201F-M3-04	Φ4	M3X0.5	3.1	8	3.2	17.8		9.6	12	
AS1201F-M5-04		M5X0.8	4	8	3.2	17.8	9.6	9.6	12	
AS2201F-01-04S		1/8"	7.5	12	3.5	20		14.2	13	
AS2201F-02-04S		1/4"	10.5	17	4	25	10.8	18.4	14	
AS1201F-M3-06	Φ6	M3X0.5	3.1	8	3.2	18		9.6	12	
AS1201F-M5-06		M5X0.8	4	8	3.2	18		9.6	12	
AS2201F-01-06S		1/8"	7.5	12	3.5	21	11.8	14.2	13	
AS2201F-02-06S		1/4"	10.5	17	4	24.2		18.4	14	
AS3201F-03-06S	3/8"	11	19	4	28.8	13.3	22.5	18		
AS2201F-01-08S	Φ8	1/8"	7.5	12	3.5	24.5		14.2	13	
AS2201F-02-08S		1/4"	10.5	17	4	26	15.8	18.4	14	
AS3201F-03-08S		3/8"	11	19	4	32.6		22.5	18	
AS2201F-01-10S	Φ10	1/8"	7.5	12	3.5	29.6		14.5	12	
AS2201F-02-10S		1/4"	10.5	17	4	35.2	19	18.4	14	
AS3201F-03-10S		3/8"	11	19	4	31.6		22.5	18	
AS4201F-04-10S		1/2"	14.5	24	4	33.3		28	21.6	
AS3201F-03-12S	Φ12	3/8"	11	19	4	32.3	21.3	22.5	18	
AS4201F-04-12S		1/2"	14.5	24	4	34.6		28	21.6	

脱离环可选颜色: ●●●●●● 塑壳体可选颜色: ●●●●●●

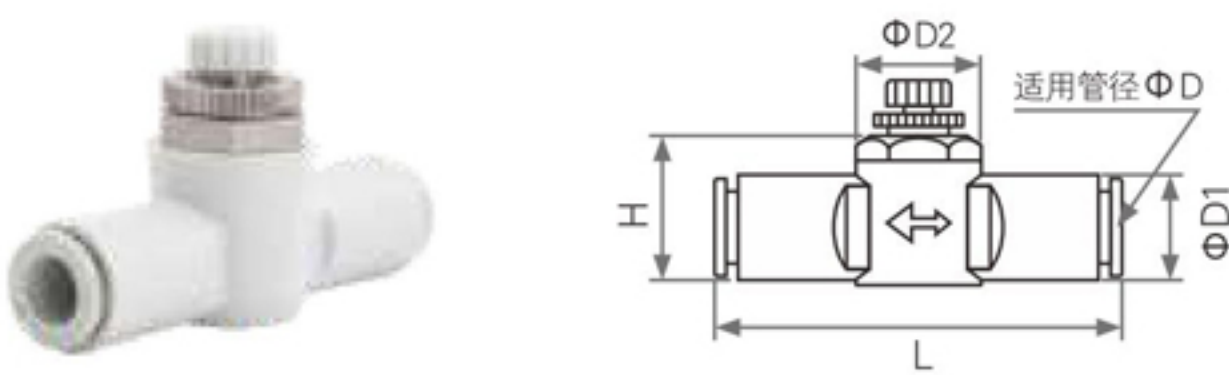
AS*211F 限入型调速阀



型号	ΦD	连接螺纹		安装六角			L	D1	D2	B
		规格	A	S	H					
AS1211F-M3-04	Φ4	M3X0.5	3.1	8	3.2	17.8		9.6	12	
AS1211F-M5-04		M5X0.8	4	8	3.2	17.8	9.6	9.6	12	
AS2211F-01-04S		1/8"	7.5	12	3.5	20		14.2	13	
AS2211F-02-04S		1/4"	10.5	17	4	25	10.8	18.4	14	
AS1211F-M3-06	Φ6	M3X0.5	3.1	8	3.2	18		9.6	12	
AS1211F-M5-06		M5X0.8	4	8	3.2	18		9.6	12	
AS2211F-01-06S		1/8"	7.5	12	3.5	21	11.8	14.2	13	
AS2211F-02-06S		1/4"	10.5	17	4	24.2		18.4	14	
AS3211F-03-06S	3/8"	11	19	4	28.8	13.3	22.5	18		
AS2211F-01-08S	Φ8	1/8"	7.5	12	3.5	24.5		14.2	13	
AS2211F-02-08S		1/4"	10.5	17	4	26	15.8	18.4	14	
AS3211F-03-08S		3/8"	11	19	4	32.6		22.5	18	
AS2211F-01-10S	Φ10	1/8"	7.5	12	3.5	29.6		14.2	12	
AS2211F-02-10S		1/4"	10.5	17	4	35.2	19	18.4	14	
AS3211F-03-10S		3/8"	11	19	4	31.6		22.5	18	
AS4211F-04-10S		1/2"	14.5	24	4	33.3		28	21.6	
AS3211F-03-12S	Φ12	3/8"	11	19	4	32.3	21.3	22.5	18	
AS4211F-04-12S		1/2"	14.5	24	4	34.6		28	21.6	

脱离环可选颜色: ●●●●●● 塑壳体可选颜色: ●●●●●●

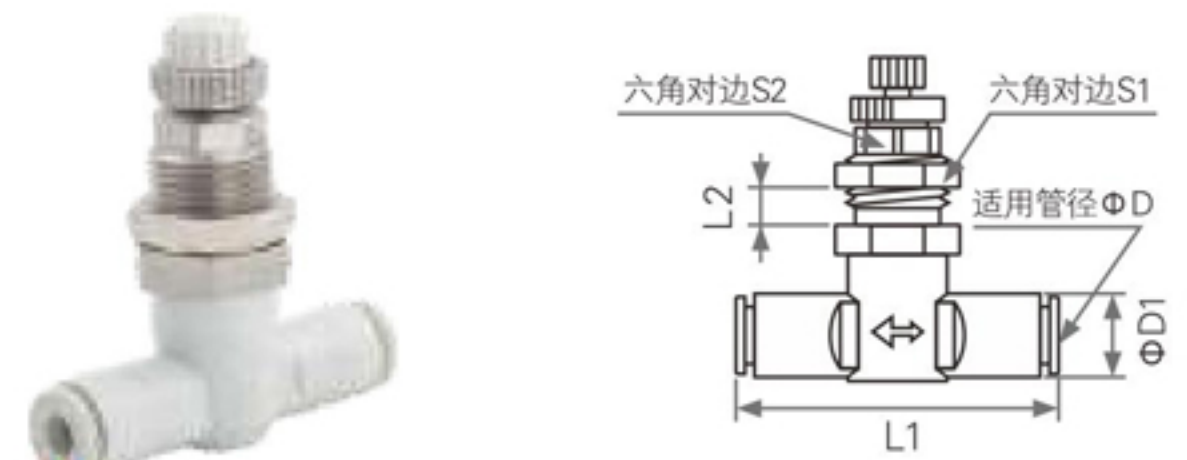
AS**1F 管道型调速阀



型号	ΦD	L	H	ΦD1	ΦD2
AS1001F-04	Φ4	39.2	14.8	10.2	9.6
AS2001F-04		40.3	20	12	
AS1001F-06	Φ6	40.7	15.7	10.2	11.8
AS2001F-06		45.2	21	12	
AS2051F-06		53.3	22.3	15.1	13
AS3001F-06		60.2	24.4	20.3	
AS2051F-08	Φ8	60.8	19.8	15.1	15.6
AS3001F-08		65	25.3	20.4	
AS3001F-10	Φ10	71	26.6	20.4	19
AS4001F-10		77	31.2	18.5	
AS3001F-12	Φ12	76.2	32.5	20.3	21.4
AS4001F-12		82	32.2	27.3	

脱离环可选颜色: ●●●●●● 塑壳体可选颜色: ●●●●●●

AS**1F-3 隔板安装型调速阀

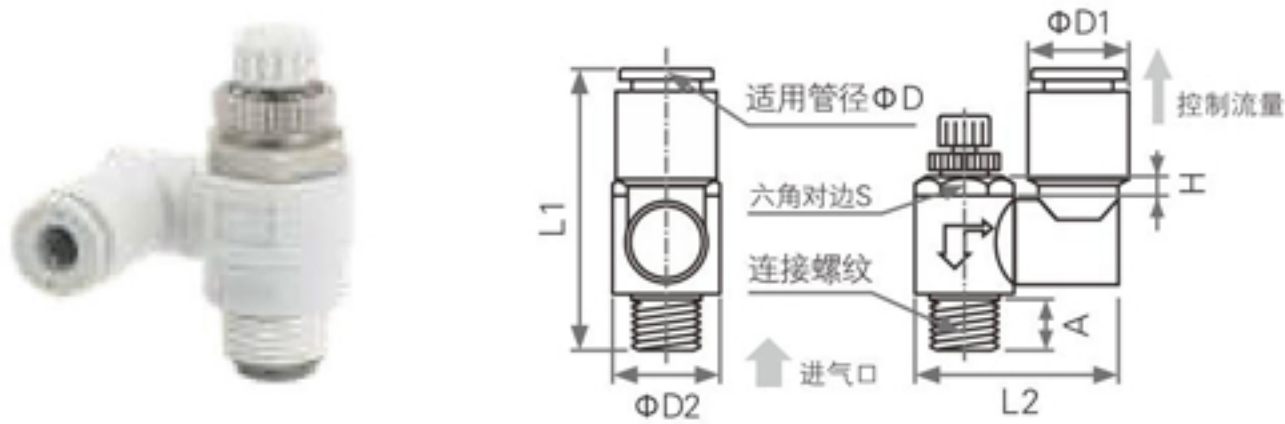


型号	ΦD	L1	L2	S1	S2	ΦD1
AS1001F-04-3	Φ4	9.3	12	8	39.2	3.5
AS2001F-04-3		9.3	14	10	40.7	3.5
AS1001F-06-3	Φ6	11.6	12	8	40.7	3.5
AS2001F-06-3		11.6	14	10	44.8	3.5
AS2051F-06-3		12.8	17	13	53.2	3.5
AS3001F-06-3		12.8	17	13	59	3.5
AS2051F-08-3	Φ8	15.2	17	13	59.8	3.5
AS3001F-08-3		15.2	17	13	64.4	3.5
AS3001F-10-3	Φ10	18.5	21	16	71.6	3.5
AS3001F-12-3	Φ12	20.9	21	16	76	3.5

脱离环可选颜色: ●●●●●● 塑壳体可选颜色: ●●●●●●

AS调速阀系列

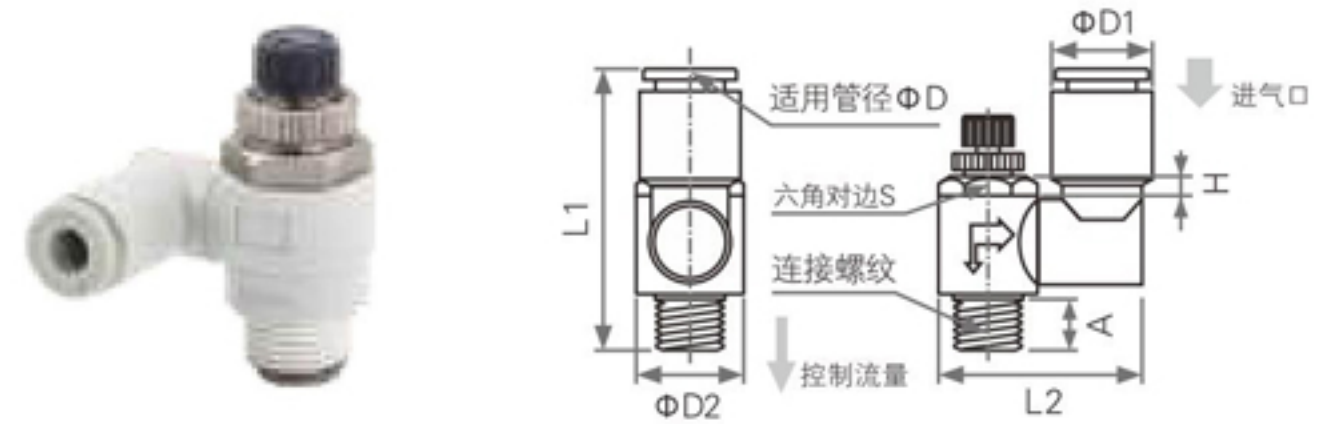
AS*301F 限出万向型调速阀



型号	ΦD	连接螺纹		安装六角			L1	D1	D2	L2
		规格	A	S	H					
AS1301F-M3-04	Φ4	M3X0.5	3.1	8	3.2	28.7		9.6	22.1	
AS1301F-M5-04		M5X0.8	4	8	3.2	28.7	9.3	9.6	22.1	
AS2301F-01-04S		1/8"	7.5	12	3.5	31.8		14.2	27.5	
AS2301F-02-04S		1/4"	10.5	17	4	40.1	10.4	18.5	34.4	
AS1301F-M3-06	Φ6	M3X0.5	3.1	8	3.2	31.8		9.6	22.9	
AS1301F-M5-06		M5X0.8	4	8	3.2	31.8		9.6	22.9	
AS2301F-01-06S		1/8"	7.5	12	3.5	37.2	11.6	14.2	27.5	
AS2301F-02-06S		1/4"	10.5	17	4	42.6		18.5	34.4	
AS3301F-03-06S	3/8"	11	19	4	46.1	12.8	23	39.3		
AS2301F-01-08S	Φ8	1/8"	7.5	12	3.5	41.7		14.2	32.4	
AS2301F-02-08S		1/4"	10.5	17	4	45.6	15.2	18.5	36.4	
AS3301F-03-08S		3/8"	11	19	4	49.1		23	41	
AS2301F-01-10S	Φ10	1/8"	7.5	12	3.5	43.6		14.2	40.2	
AS2301F-02-10S		1/4"	10.5	17	4	48.4	18.5	18.5	43.2	
AS3301F-03-10S		3/8"	11	19	4	53.5		23	43.3	
AS4301F-04-10S		1/2"	14.5	24	4	58		28	47.9	
AS3301F-03-12S	Φ12	3/8"	11	19	4	55.3	20.9	23	44.3	
AS4301F-04-12S		1/2"	14.5	24	4	61.7		28	48.9	

脱离环可选颜色: ●●●●●● 塑壳体可选颜色: ●●●●●●

AS*311F 限入万向型调速阀



型号	ΦD	连接螺纹		安装六角			L1	D1	D2	L2
		规格	A	S	H					
AS1311F-M3-04	Φ4	M3X0.5	3.1	8	3.2	28.7		9.6	22.1	
AS1311F-M5-04		M5X0.8	4	8	3.2	28.7	9.3	9.6	22.1	
AS2311F-01-04S		1/8"	7.5	12	3.5	31.8		14.2	27.5	
AS2311F-02-04S		1/4"	10.5	17	4	40.1	10.4	18.5	34.4	
AS1311F-M3-06	Φ6	M3X0.5	3.1	8	3.2	31.8		9.6	22.9	
AS1311F-M5-06		M5X0.8	4	8	3.2	31.8		9.6	22.9	
AS2311F-01-06S		1/8"	7.5	12	3.5	37.2	11.6	14.2	27.5	
AS2311F-02-06S		1/4"	10.5	17	4	42.6		18.5	34.4	
AS3211F-03-06S	3/8"	11	19	4	46.1	12.8	23	39.3		
AS2311F-01-08S	Φ8	1/8"	7.5	12	3.5	41.7		14.2	32.4	
AS2311F-02-08S		1/4"	10.5	17	4	45.6	15.2	18.5	36.4	
AS3311F-03-08S		3/8"	11	19	4	49.1		23	41	
AS2311F-01-10S	Φ10	1/8"	7.5	12	3.5	43.6		14.2	40.2	
AS2311F-02-10S		1/4"	10.5	17	4	48.4	18.5	18.5	43.2	
AS3311F-03-10S		3/8"	11	19	4	53.5		23	43.3	
AS4311F-04-10S		1/2"	14.5	24	4	58		28	47.9	
AS3311F-03-12S	Φ12	3/8"	11	19	4	55.3	20.9	23	44.3	
AS4311F-04-12S		1/2"	14.5	24	4	61.7		28	48.9	

脱离环可选颜色: ●●●●●● 塑壳体可选颜色: ●●●●●●

AS**01F-D 用螺丝刀调节型调速阀



螺纹管径	1/8"	1/4"	3/8"	1/2"
Φ4	AS2201F-01-04S-D	AS2201F-02-04S-D		
Φ6	AS2201F-01-06S-D	AS2201F-02-06S-D	AS2201F-03-06S-D	
Φ8	AS2201F-01-08S-D	AS2201F-02-08S-D	AS2201F-03-08S-D	
Φ10	AS2201F-01-10S-D	AS2201F-02-10S-D	AS2201F-03-10S-D	AS2201F-04-10S-D
Φ12			AS2201F-03-12S-D	AS2201F-04-12S-D